

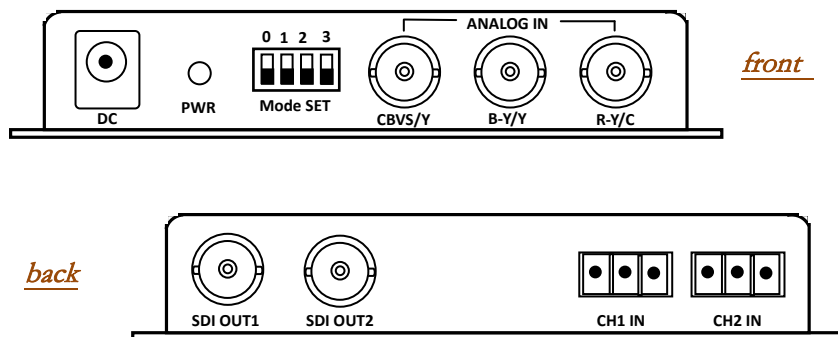
Description

Based on Mini BOX platform, MIO-DEC-AUD is a small converter which can change analog video and two channel analog audio to embedded SDI. The analog video can be CVBS/YUV/YC optionally, also 525i30 and 625i25 are supported.

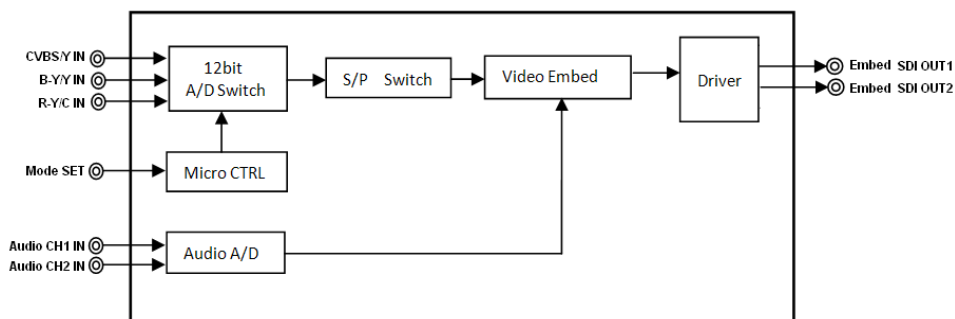
The lights on the Mini box indicate the states of source signal and power, so as to let the user know the information immediately.

Be known for compact function, the converter is widely used in variety of environments, like TV program post production, studio, broadcast, etc.

Interface (Refer to real product)



Block Diagram



Ordering Information

MIO-ENC	SDI video to analog video converter
MIO-DEC	Analog video to SDI video converter
MIO-ENC -AUD	SDI to analog video and dual analog audio converter
MIO-DEC-AUD	Analog video and dual analog audio to SDI video converter

Key Features

- Support analog video to SDI conversion (CVBS/YUV/YC optional)
- Support 525i30 and 625i25.
- Adopt 3-pin as audio interface
- Broadcast quality with 10 bit processing and 48KHz audio sampling
- Indicate lights tell the states of source signal and power immediately
- Based on Mini BOX platform, with high performance, widely used in the fields of studio, broadcast and other places

Specifications

Analog Video Input:

Input interface: 3* BNC connector
(CVBS\YC\YUV optional)
Impedance: 75 ohms

Digital Video Output:

Output interface: 2*SDI, BNC connector
Impedance: 75 ohms
Format: SMPTE 259M-C; 270Mb/s
Amplitude: 800mV±5%
Jitter: <0.2UI

Analog Audio Input:

Input interface: 2*3pin (balanced)
Impedance: 600ohms

Status Indication:

Power states (Indicate by shining or extinguishing of the red and green LED)

Physics:

Power: 9VDC 1.6A
Size: 123mm*92mm*29mm